



DIGITAL HYGROMETERS

DB-GMD

FUNCTION

Visualization of the relative humidity when the unit is connected to a humidity transmitter with 4...20 mA current output (2 or 3 wires). The unit can supply directly the transmitters that can operate with voltage from 13.5 Vdc to 25 Vdc (not regulated).

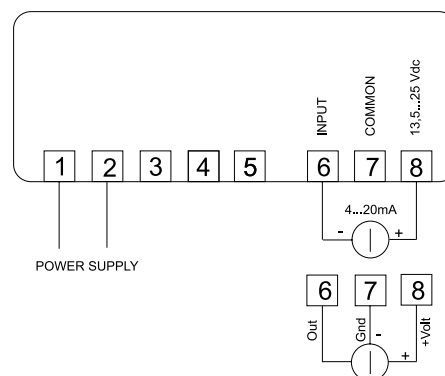
Control of optical alarms (flashing display and visualization of error code) when the sensor is opened or short circuited.

TYPE	RANGE r.h.	MAIN SUPPLY	RESOLUTION r.h.	INPUT mA
DB-GMD/230	0...100%	230 Vac	0.5%	4...20
DB-GMD/12	0...100%	12 Vac	0.5%	4...20

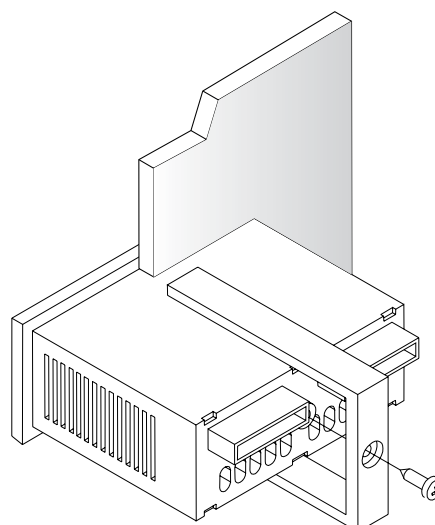
TECHNICAL FEATURES

Power supply:	230 Vac, 12 Vac, 50/60 Hz
Output Vdc:	DB-GMD/230 13.5...25 Vdc DB-GMD/12 12.5 Vdc
Input:	predisposed for transmitters with current output 4...20 mA (2 or 3 wires)
Input resistance:	51 Ohm
Measuring range:	0...100 % r.h.
Power cons.:	1 W
Visualization:	3 digit display
Resolution:	0.5 % r.h.
Working:	0...+50 °C 10...90% r.h. (non condensing)
Storage:	-20...+70 °C < 95% r.h.
Housing:	ABS self-extinguishing according to UL94 V-0
Protection:	IP52 (only front plate), class II
Size:	74 x 32 x 69 mm hole for mounting 71 x 29 mm
Weight:	160 g

ELECTRICAL WIRING



MOUNTING





IGROSTATI DIGITALI

DB-IGD

FUNCTION

Relative humidity visualization and regulation, if the unit is connected to a humidity transmitter with 4...20 mA current output (2 or 3 wires) with:

- 1 relay output for humidification and dehumidification system control;
- direct supply for the transmitters that can operate with voltage from 12 to 24 Vdc (not regulated);

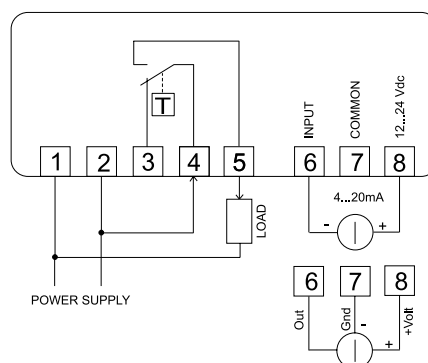
- setting of a delay for successive load activations to avoid the load to be powered too many times;
- setting of the response sensibility related to the humidity variations (fast or slow);
- control of optical and acoustic alarms (flashed display, visualization of error code and buzzer).

TYPE	RANGE r.h.	MAIN SUPPLY	OUTPUT	DIFFERENTIAL r.h.	RESOLUTION r.h.	INPUT mA
DB-IGD/230	0...100%	230 Vac	8 A/250 Vac	-99...+99%	0.5%	4...20
DB-IGD/12	0...100%	12 Vac	8 A/12 Vac	-99...+99%	0.5%	4...20

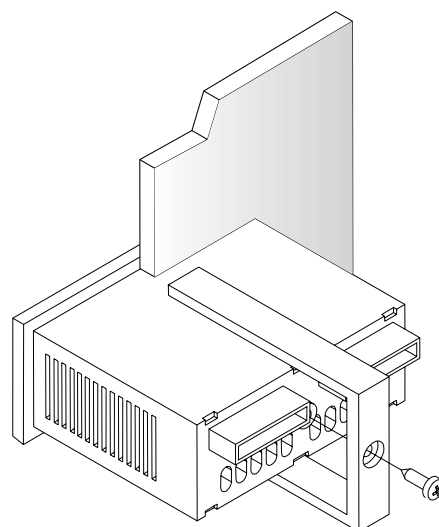
TECHNICAL FEATURES:

Power supply:	230 Vac, 12 Vac, 50/60 Hz
Output Vdc:	DB-IGD/230 12...24 Vdc DB-IGD/12 12 Vdc
Input:	predisposed for transmitters with current output 4...20 mA (2 or 3 wires)
Input resistance:	51 Ohm
Campo di misura:	0...100 % r.h.
Setpoint:	0...100 % r.h.
Power cons.:	1 W
Output :	1 SPDT relay (see schedule)
Visualization:	3 digit display, indicator of output state (led)
Resolution:	0.5 % r.h.
Working:	0...+45 °C 10...90% r.h. (non condensing)
Storage:	-20...+70 °C < 95% r.h.
Housing:	ABS self-extinguishing according to UL94 V-0
Size:	74 x 32 x 69 mm hole for mounting 71 x 29 mm
Protection:	IP52 (only front plate), class II
Peso:	180 g

ELECTRICAL WIRING



MOUNTING





DIGITAL THERMOMETERS

DB-TMD

FUNCTION

Visualization of the temperature measured with NTC sensors in industrial heating and cooling applications.

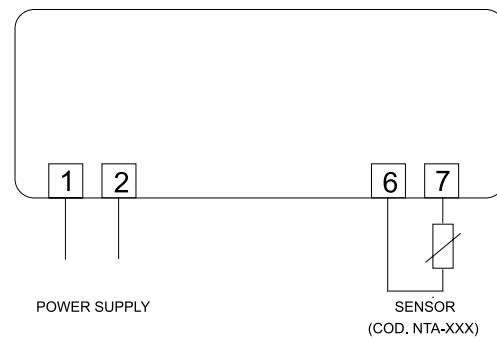
Control of optical alarms (flashing display and visualization of error code) if the sensor is opened or short circuited.

TYPE	RANGE °C	POWER SUPPLY	RESOLUTION °C	INPUT
DB-TMD/230	-50...+110	230 Vac	0.1	NTC 10K
DB-TMD/24	-50...+110	24 Vac	0.1	NTC 10K
DB-TMD/12	-50...+110	12 Vac/dc	0.1	NTC 10K

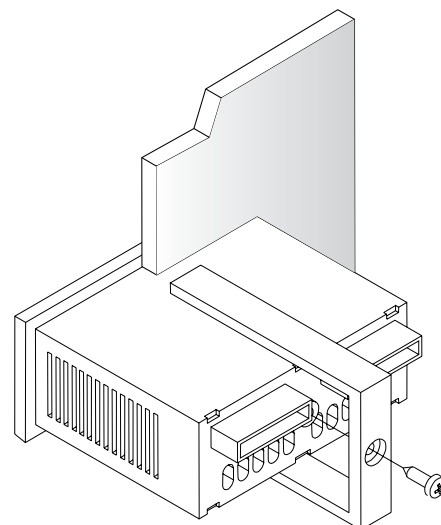
TECHNICAL FEATURES

Power supply: 230 Vac, 24 Vac, 12 Vac/dc, 50/60 Hz
Input: NTC 10K (10 kOhm at 25 °C)
Measuring range: -50...+110 °C (NTC)
Power cons.: 1 W
Visualization: 3 digit display
Resolution: 0.1 °C between -9.5 °C to 99.5 °C and 1 °C on the remaining range
Working: 0...+50 °C
 10...90% r.h. (non condensing)
Storage: -20...+70 °C
 < 95% r.h.
Housing: ABS self-extinguishing according to UL94 V-0
protection: IP52 (only front plate), class II
Size: 74 x 32 x 69 mm
 hole for mounting 71 x 29 mm
Weight: 160 g

ELECTRICAL WIRING



MOUNTING





DIGITAL THERMOREGULATORS

DB-TRD

FUNCTION

Temperature visualization and regulation measured with NTC sensors in industrial heating and cooling applications with:

- 1 relay output;
- setting of a delay for successive load activations to avoid the load to be powered too many times

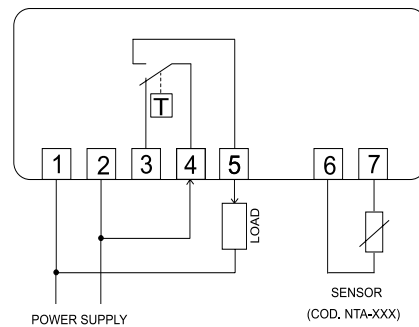
- setting of the response sensibility related to the temperature variations (fast or slow);
- control of optical and acoustic alarms (flashing display, visualization of error code and buzzer).

TYPE	RANGE °C	MAIN SUPPLY	OUTPUT	DIFFERENTIAL K	RESOLUTION °C	INPUT
DB-TRD/230	-40...+110	230 Vac	8 A/250 Vac	-15...+15	0.1	NTC 10K
DB-TRD/24	-40...+110	24 Vac	8 A/12-24 Vac	-15...+15	0.1	NTC 10K
DB-TRD/12	-40...+110	12 Vac/dc	8 A/12 Vac	-15...+15	0.1	NTC 10K

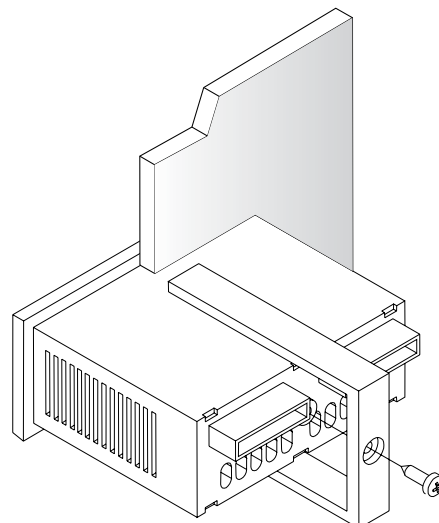
TECHNICAL FEATURES:

Power supply:	230 Vac, 24 Vac, 12 Vac/dc, 50/60 Hz
Input:	NTC 10K (10 KOhm at 25 °C)
Measuring range:	-50...+110 °C (NTC)
Setpoint:	-40...+110 °C
Power cons.:	1 W
Output:	1 SPDT relay (see schedule)
Visualization:	3 digit display, indicator of output state (led)
Resolution:	0.1 °C between -9.9 °C to 99.9 °C and 1 °C on the remaining range
Working:	0...+50 °C 10...90% r.h. (non condensing)
Storage:	-20...+70 °C < 95% r.h.
Housing:	ABS self-extinguishing according to UL94 V-0
Protection:	IP52 (only front plate), class II
Size:	74 x 32 x 69 mm hole for mounting 71 x 29 mm
Weight:	180 g

ELECTRICAL WIRING



MOUNTING





DIGITAL MANOMETERS

DB-PMD

FUNCTION

Visualization of the pressure, if the unit is connected to a pressure transmitter with 4...20 mA current output (2 or 3 wires). The unit can supply directly the transmitters that can operate with voltage 17 Vdc \pm 20% (non regulated).

Control of optical alarms (flashing display and visualization of error code) when the sensor is opened or short circuited.

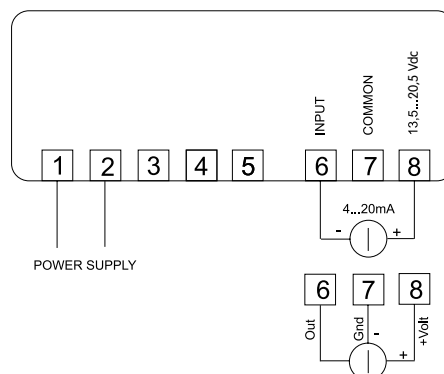
TYPE	RANGE	POWER SUPPLY	RESOLUTION	INPUT mA
DB-PMD/230	-99...+999 (*)	230 Vac	0.1 or 1	4...20
DB-PMD/12	-99...+999 (*)	12 Vac/dc	0.1 or 1	4...20

(*) range must be defined during ordering. The range must be within -99 and +999. on request the controller can be supplied with mbar, bar or psi.

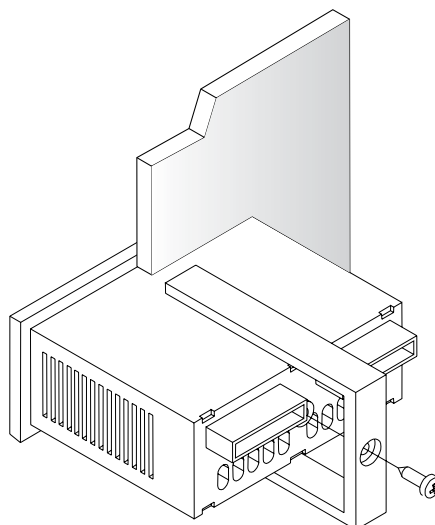
TECHNICAL FEATURES

Power supply:	230 Vac, 12 Vac/dc, 50/60 Hz DB-PMD/230 13.5...20.5 Vdc DB-PMD/12 12.5 Vdc
Input:	predisposed for transmitters with current output 4...20 mA (2 or 3 wires)
Input resistance:	100 Ohm
Measuring range:	see (*)
Power cons.:	< 1.5 W
Visualization:	3 digit display
Resolution:	0.1 for scales with decimal point (upper scale lower or equal to 100) 1 for scales without decimal point
Working:	0...+50 °C 10...90% r.h. (non condensing)
Storage:	-20...+70 °C < 95% r.h.
Housing:	ABS self-extinguishing according to UL94 V-0
Protection:	IP52 (only front plate), class II
Size:	74 x 32 x 69 mm hole for mounting 71 x 29 mm
Weight:	160 g

ELECTRICAL WIRING



MOUNTING





DIGITAL PRESSOSTATS

DB-PRD

FUNCTION

Pressure visualization and regulation, if the unit is connected to a pressure transmitter with 4...20 mA current output (2 or 3 wires) with:

- 1 relay output for increasing or decreasing pressure system control;
- direct supply for the transmitters that can operate with voltage from 11 to 20.5 Vdc (not regulated);

- setting of a delay for successive load activations to avoid the load to be powered too many times;
- setting of the response sensibility related to the pressure variations (6 different speeds);
- control of optical and acoustic alarms (flashed display, visualization of error code and buzzer).

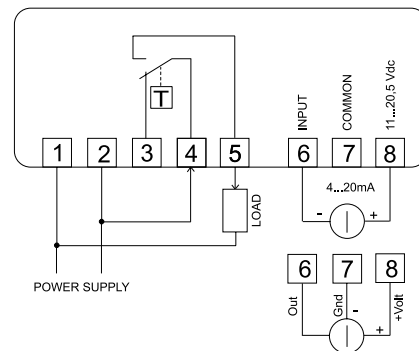
TYPE	RANGE	MAIN SUPPLY	OUTPUT	DIFFERENTIAL	RESOLUTION	INPUT mA
DB-PRD/230	-99...+999 (*)	230 Vac	8 A/250 Vac	-99...+999	0.1 o 1	4...20
DB-PRD/12	-99...+999 (*)	12 Vac/dc	8 A/12 Vac	-99...+999	0.1 o 1	4...20

(*) range must be defined during ordering. The range must be within -99 and +999. on request the controller can be supplied with mbar, bar or psi.

TECHNICAL FEATURES

Power supply:	230 Vac, 12 Vac/dc, 50/60 Hz
Input:	predisposed for transmitters with current output 4...20 mA (2 or 3 wires)
Input resistance:	100 Ohm
Power cons.:	< 1.5 W
Output:	1 SPDT relay (see schedule)
Visualization:	3 digit display, indicator of output state (led)
Resolution:	0.1 for scales with decimal point (upper scale lower or equal to 100); 1 for scales without decimal point
Working:	0...+45 °C 10...90% r.h. (non condensing)
Storage:	-20...+70 °C <95% r.h.
Housing:	ABS self-extinguishing as to UL94 V-0
protection:	IP52 (only front plate), class II
Dimensioni:	74 x 32 x 69 mm hole for mounting 71 x 29 mm
Weight:	180 g

ELECTRICAL WIRING



MOUNTING

