



AIR DUCT THERMOSTATS

DBTZ

FUNCTION

Temperature monitoring in air or non aggressive gas ducts.
Temperature monitoring and safety protection with manual reset (double models) and signal contact.

APPLICATIONS

Well-suited for heating, cooling and air conditioning systems and general applications in domestic and industrial areas.

| TYPE | RANGE 1 °C | RANGE 2 °C | HYSTERESIS RANGE 1 K | HYSTERESIS RANGE 2 K | MAX. BULB TEMP. °C | FUNCTION |
|----------------|---------------|---------------|----------------------------|----------------------------|-----------------------|----------|
| DBTZ-060 | 0...+60 | | 3±1 | | 75 | TR |
| DBTZ-090U | 0...+90 | | 3±1 | | 120 | TW |
| DBTZ-3090 | +30...+90 | | 3±1 | | 120 | TR |
| DBTZ-50140 | +50...+140 | | 5±1 | | 150 | TR |
| DBTZ-R6585 | +65...+85 | | 20±5 | | 120 | STB |
| DBTZ-R90110 | +90...+110 | | 20±5 | | 120 | STB |
| DBTZ-RM100 | 96 | | 20±5 | | 120 | STB |
| DBTZ-R100 | 100 | | 20±5 | | 120 | STW |
| DBTZ-060R85 | 0...+60 | +65...+85 | 3±1 | 20±5 | 120 | STB+TR |
| DBTZ-06060 | 0...+60 | 0...+60 | 3±1 | 3±1 | 75 | TR + TR |
| DBTZ-09090U | 0...+90 | 0...+90 | 3±1 | 3±1 | 120 | TW + TW |
| DBTZ-309090 | +30...+90 | +30...+90 | 3±1 | 3±1 | 120 | TR + TR |
| DBTZ-3090R85 | +30...+90 | +65...+85 | 3±1 | 20±5 | 120 | STB+TR |
| DBTZ-3090R110 | +30...+90 | +90...+110 | 3±1 | 20±5 | 120 | STB+TR |
| DBTZ-3090R100 | +30...+90 | 100 | 3±1 | 20±5 | 120 | STW+TR |
| DBTZ-3090RM100 | +30...+90 | 96 | 3±1 | 20±5 | 120 | STB+TR |

TR with SPDT contact
TW with knob under the cover, SPDT contact
STB with manual security reset, SPDT contact
STW with automatic security reset, SPDT contact

Accessories:

The thermostats are factory supplied with protection spring and mounting bracket model DBZ-25.

TECHNICAL FEATURES

Sensitive element: liquid-filled coiled copper bulb with 200 mm protection spring and mounting bracket

Contacts: dust-tight microswitches with SPDT contacts (heat/cool)

Switch capacity: 16 (4) A, 250 Vac
6 (1) A, 400 Vac

Differentials: see schedule

Working: -35...+65 °C
10...90% r.h. (non condensing)

Storage: -20...+70 °C
< 95% r.h.

Housing: Byblend base, ABS cover
double models: sealed ABS

Protection: IP54, class I

Size: 108 x 70 x 72 mm or 132 x 88 x 70 mm

Weight: 690 g

Note

The range may be calibrated by tuning carefully the hexagon nut under the knob (fig. 1).

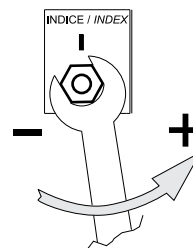
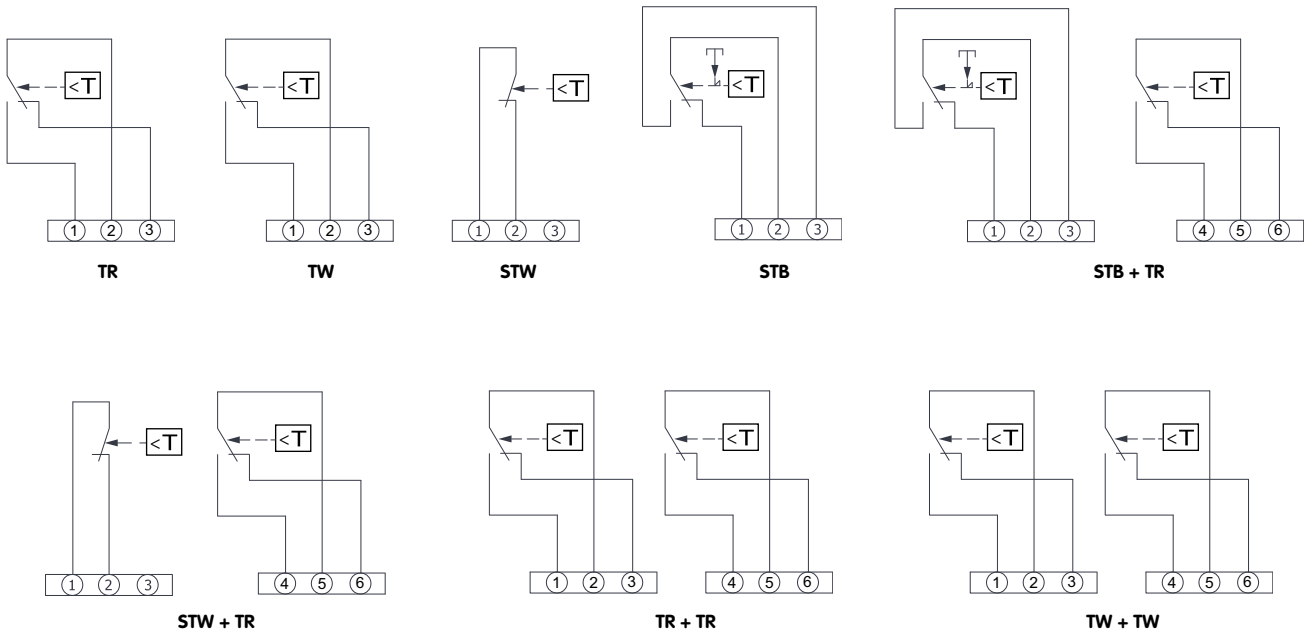


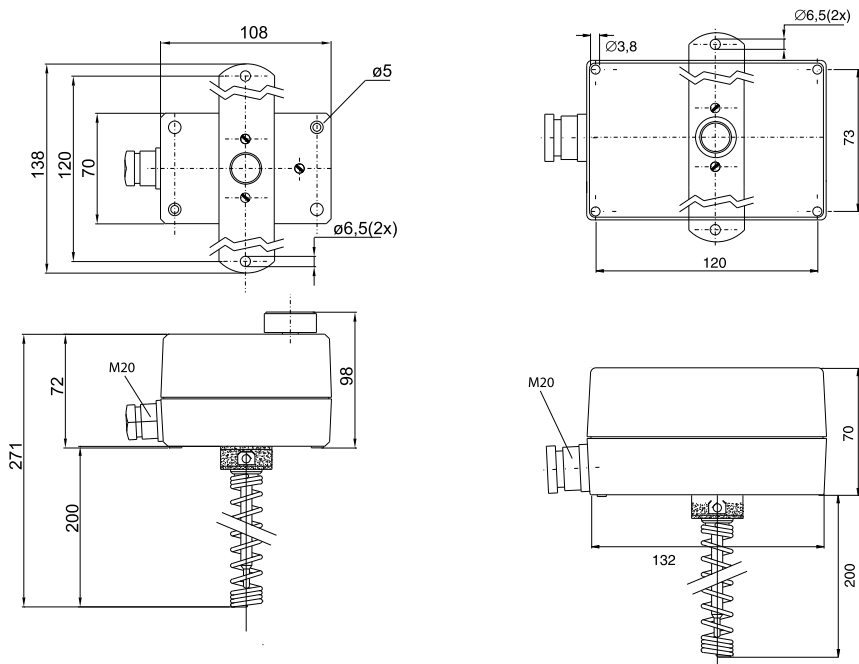
fig. 1



ELECTRICAL WIRING



DIMENSIONS (mm)



One range model

Double range model

